

CON-E-CO.®

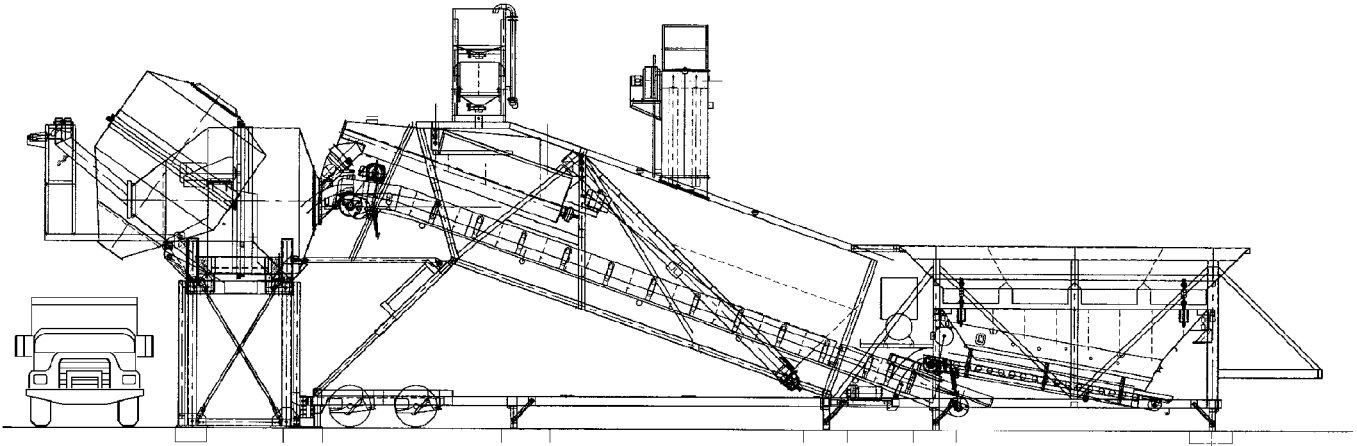
An Oshkosh Truck Corporation Company

Lo-Pro SSE

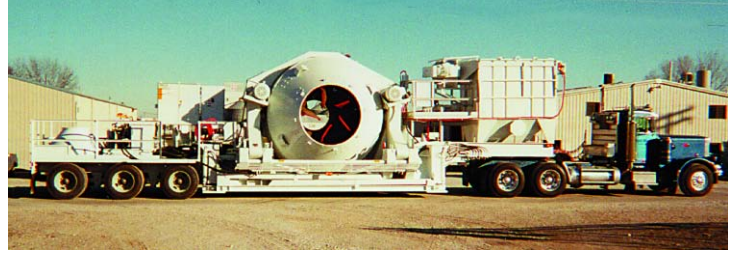
MOBILE SELF-ERECT CENTRAL MIX PLANT



Portable Foundation & Self-Erecting



Mobile tow-away self-erecting batch plant.



Mobile tow-away self-erecting tilt mixer.

Lo-Pro 12SSE SPECIFICATIONS

PRODUCTION CAPACITY

The CON-E-CO "Lo-Pro" 12SSE has the capability to discharge 12 cubic yards of batched materials in 22 seconds. Mixer cycle time determines actual production.

AGGREGATE BATCHER

12 cubic yard rated capacity, fabricated all welded with 48" wide batcher conveyor. Scale system-direct load cells and digital readout.

AGGREGATE BATCH DISCHARGE CONVEYOR

550 foot per minute, 48" wide belt with troughing idlers and return idlers. Includes troughing training idler and return training idler.

TRANSPORTATION SYSTEM

Rear mounted capacity triple axle with tires, wheels, air brakes, heavy-duty air suspension, tail and brake lights, and fifth wheel rub plate with kingpin.

CEMENT BATCHER

12 cubic yard rated capacity. Batcher discharge is through 20" diameter butterfly valve operated by 4-1/2" diameter air cylinder. Scale system-direct load cells and digital readout.

HIGH PRESSURE AIR SYSTEM

20 HP, TEFC electric motor driven, two-stage, tank-mounted air compressor with 120-gallon receiver.

LOW PRESSURE AIR SYSTEM

5 HP, TEFC electric motor driven, low-pressure, high-volume blower for cement aeration.

WATER SYSTEM

CON-E-CO Model 515-3" Electronic Water Meter. CON-E-CO Model 515-2" Electronic Temper Water Meter. Slump meter to

manually control concrete slump. Optional water holding tank, water weigh batcher and water pump.

CEMENT STORAGE SILO

1,160 cubic foot (maximum 290 barrels, minimum 241 barrels) gross volume, single compartment cement storage silo furnished with two (2) 5" fill pipes.

Silo furnished with roof railing, vertical access ladder, cable and belt to silo base. Furnished to travel with roof railing and ladder attached.

OPTIONAL — FLY ASH STORAGE SILO

1,160 cubic foot (maximum 290 barrels, minimum 241 barrels), two (2) 5" fill pipes, 9" diameter discharge screw. Includes single axle transportation system.

CONCRETE TILT MIXER

12 cubic yard hydraulic self-erect mobile tilt mixer, complete with transportation system and mixer dust control.

ELECTRICAL SYSTEM

Pre-wired in conduit from main service panel for 3ph/60Hz/460 volt operation complete with magnetic starters with 115 volt coils for each plant motor. All motor circuit wiring protected by individual circuit breakers. All electrical components housed in NEMA 12 dust-tight steel enclosure. Includes main disconnect circuit breaker. UL-approved electrical panels.

NOTE: In accordance with CON-E-CO's policy of constantly improving its products, the above specifications are subject to change without notice.

Proud
Member of



CON-E-CO®

An Oshkosh Truck Corporation Company

Address: P.O. Box 430
Blair, NE 68008

Phone: (402) 426-4181

Fax: (402) 426-4180

Website: www.con-e-co.com

E-Mail: sales@con-e-co.com